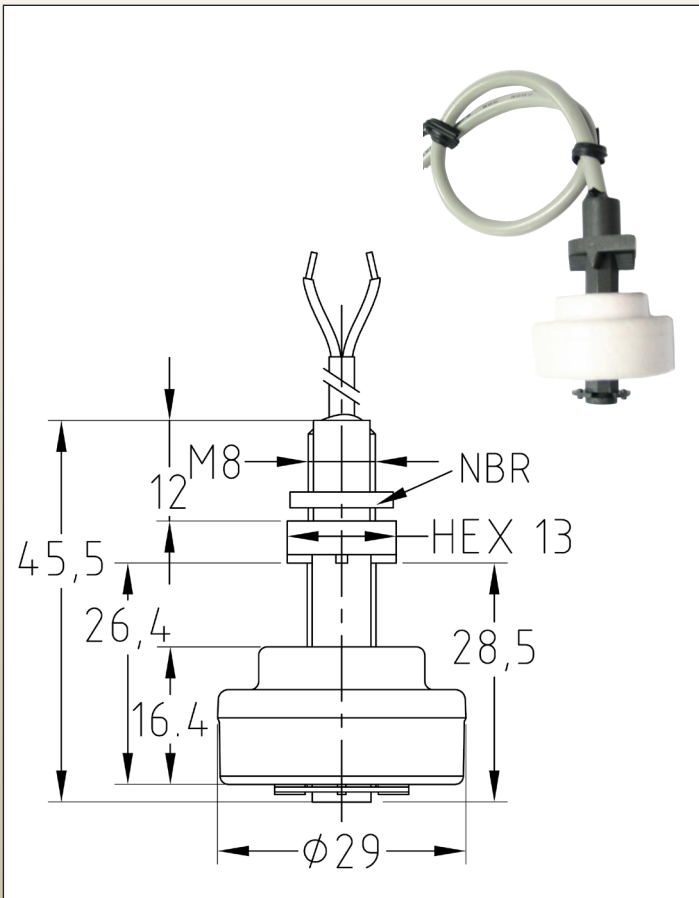


Vertical mounting, reed switch contact, polypropylene stem with M8 thread, dia. 29 x16.4 mm EPS foam float, cable output , for near bottom level detection

Type DM

DIMENSIONS

MAIN FEATURES



Use: low voltage circuits

Main applications: vending machines, air conditioning pumps, dehumidifiers. Small diameter float for reduced space applications. EPS foam float avoid float leaks, but reduces the maximum liquid temperature

Stem material: polypropylene

Float material: EPS foam with skin effect surface to avoid water absorption

Mounting: vertical, throw wall, with M8 nut and flat NBR gasket

Contact configuration: normally closed when float is down on the stem. It opens when float goes up to the wiring side. Upsetting the float changes the contact configuration into normally open

Electrical rating:

Low voltage type: maximum power 10 W (VA), max 0.5Amp, max voltage 110VAC.

230VAC type: max power 40 W (VA), max 1Amp Values for resistive circuit. For inductive or capacitive loads, a contact protection circuit must be used.

Contact resistance: 150 mOhms maxi (wires not included)
Wires: AWG24 cable, UL style 2464, PVC insulated, length 100, 500, 1000 or 2000 mm

Liquid limits: to be used with liquids chemically compatible with polypropylene and polystyrene, specific gravity higher than 0.9, dynamic viscosity higher than 0.5×10^{-4} Pa.s and lower than 10^{-2} Pa.s, without magnetic particles.

Ambient temperature: -20+65°C

Maximum pressure: 1 bar (15 PSI)

Options: other cable length, electrical rating 70W, 1A, 250VAC

References

Electrical Rating	Cable 100 mm	Cable 500 mm	Cable 1000 mm	Cable 2000 mm
10VA (max 110VAC)	DMF03083329F1050	DMF03083329F5050	DMF03083329FA050	DMF03083329FB050
40VA (max 230VAC)	DMF43083329F1050	DMF43083329F5050	DMF43083329FA050	DMF43083329FB050

Because of permanent improvement of our products, drawings, descriptions, features used on these data sheets are for guidance only and can be modified without prior advice

